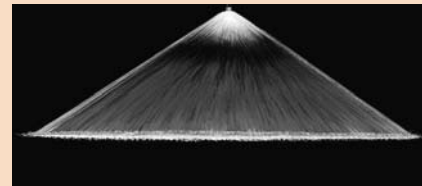


AFF



Fan 145°

Fire Protection

DESIGN FEATURES

- One-piece construction
- Clog-resistant
- Durable
- Male connection

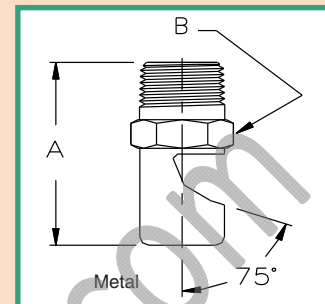
All 1/2" connection AFF nozzles require a main line strainer designed to entrap material 1/8" and larger.

SPRAY CHARACTERISTICS

- Extra-wide flat fan spray angle
- Medium-impact spray
- Spray discharge deflected 75° from inlet axis
- Coarse atomization

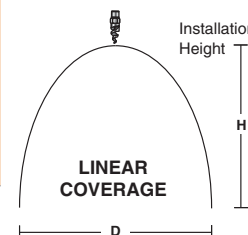
Spray pattern: Flat Fan

Flow rates: 25.3 - 263 L/min



AFF Flow Rates and Dimensions

Connection	Nozzle Number	K Factor	Pressure (bar)		Flow Rate (l/min)		Orifice (mm)	Free Passage (mm)	Dimensions (mm)		Mass (g)
			3.40	10.3	31.4	54.6			A	B	
1/2"	1.18-145	17.0	3.40	10.3	31.4	54.6	5.3	5.3	50.8	22.4	117
			3.40	10.3	44.1	76.7					
	1.66-145	23.9	3.40	10.3	44.1	76.7	6.4	6.4			
			3.40	10.3	67.3	117					
	2.53-145	36.5	3.40	10.3	67.3	117	7.9	7.9			
			3.40	10.3	89.1	155					
3/4"	3.35-145	48.3	3.40	10.3	89.1	155	8.8	8.8	66.8	35.1	345
			3.40	10.3	118	205					
	4.43-145	63.9	3.40	10.3	118	205	10.3	10.3			
			3.40	10.3	151	263					
	5.69-145	82.0	3.40	10.3	151	263	11.5	11.5			
			3.40	10.3	263	345					



SPECIAL PURPOSE

AFF Spray Coverage Nozzle Spray Directed Vertically Down

Connection (Male Pipe Size)	Installation Height - H (m)												
	Nozzle Number	Pressure (bar)	Measured Angle	0.3	0.6	0.9	1.2	1.5	1.8	2.1	2.4	2.7	3
1/2"	1.18-145	3.4	144°	1.88	3.28	4.33	5.28	5.94	6.32	6.67	6.95	7.10	7.21
		10.3	148°	2.07	3.56	4.45	5.28	5.88	6.24	6.57	6.81	6.99	7.09
	1.66-145	3.4	140°	1.86	2.95	4.09	4.95	5.73	6.18	6.60	6.89	7.10	7.24
		10.3	141°	1.99	3.16	4.37	5.29	5.98	6.62	6.98	7.32	7.55	7.72
	2.53-145	3.4	140°	1.86	2.95	4.09	4.95	5.73	6.18	6.60	6.89	7.10	7.24
		10.3	139°	1.48	2.30	3.00	3.88	4.58	5.30	5.72	6.14	6.53	6.74
3/4"	3.35-145	3.4	139°	1.38	2.49	3.38	4.10	4.84	5.39	5.81	6.19	6.45	6.63
		10.3	128°	1.53	2.37	3.42	4.26	5.13	5.77	6.25	6.60	6.91	7.13
	4.43-145	3.4	134°	1.41	2.89	3.75	4.66	5.34	5.85	6.24	6.59	6.84	7.01
		10.3	135°	1.60	2.86	3.86	4.88	5.62	6.17	6.65	6.98	7.20	7.37
	5.69-145	3.4	136°	1.84	2.91	3.78	4.69	5.37	6.00	6.36	6.70	6.93	7.09
		10.3	135°	1.60	2.86	3.86	4.88	5.62	6.17	6.65	6.98	7.20	7.37

Standard Materials: Brass and 316 Stainless Steel.

$$\text{Flow Rate (L/min)} = K (\text{BAR})^{0.50}$$